



# INSTALLATION INSTRUCTIONS

Accessory

FOG LIGHTS

Application

2014 CIVIC  
4-DOOR

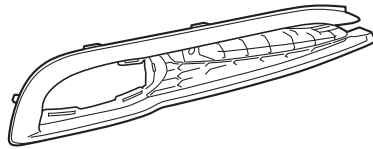
Publications No.  
All 50694-50854

Issue Date  
JAN 2014

## PARTS LIST

Fog Light Kit  
P/N 08V31-TR0-100F (non-auto light/non-BSM)  
P/N 08V31-TR0-100J (auto light/BSM)

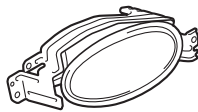
Right fog light trim



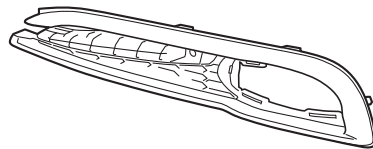
Right fog light cover



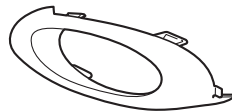
Right fog light



Left fog light trim



Left fog light cover



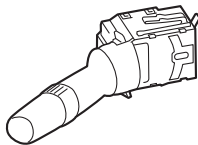
Left fog light



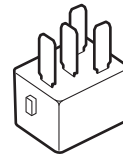
6 Self-tapping screws



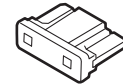
Combination light switch



Relay



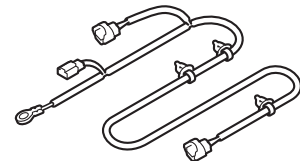
20A Fuse  
(May not be used)



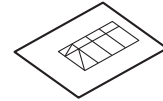
Switch harness



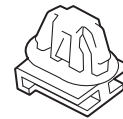
Fog light harness



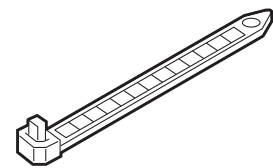
Fuse label  
(May not be used)



Clip A



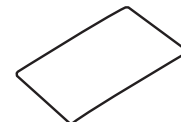
9 Wire ties



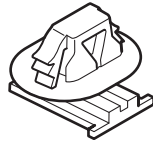
Relay bracket



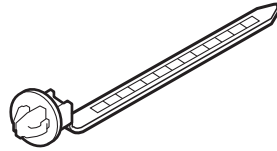
2 Aluminum tapes



Clip B



Wire tie with clip



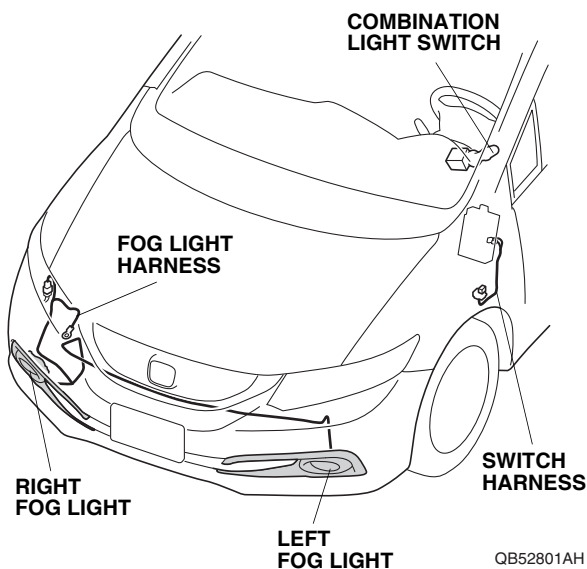
## TOOLS AND SUPPLIES REQUIRED

Phillips screwdriver  
Flat-tip screwdriver  
Diagonal cutters  
10 mm Socket  
Isopropyl alcohol  
Shop towel  
Tape  
Ratchet  
Blanket  
Small flat-tip screwdriver  
Scissors  
5 mm Hex wrench

The following tool is available through the Honda Tool and Equipment Program. On the iN, click on: Service > Service Bay > Tool and Equipment Program, then enter the number under "Search". Or, call 888-424-6857.

- Plastic Trim Tool (T/N SILTRIMTL10)

### Illustration of the Fog Lights Installed in the Vehicle

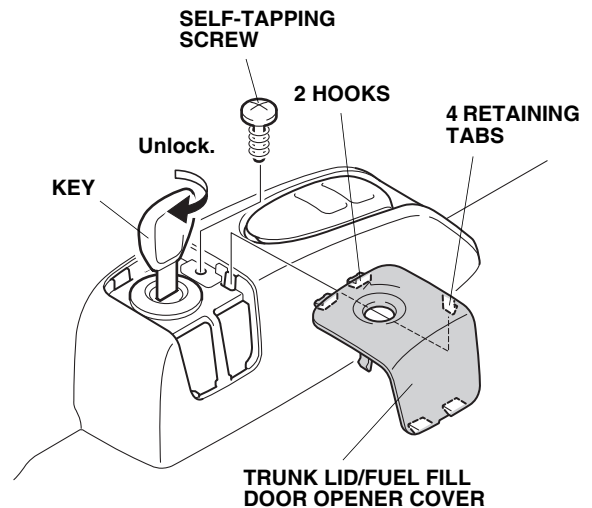


QB52801AH

## INSTALLATION

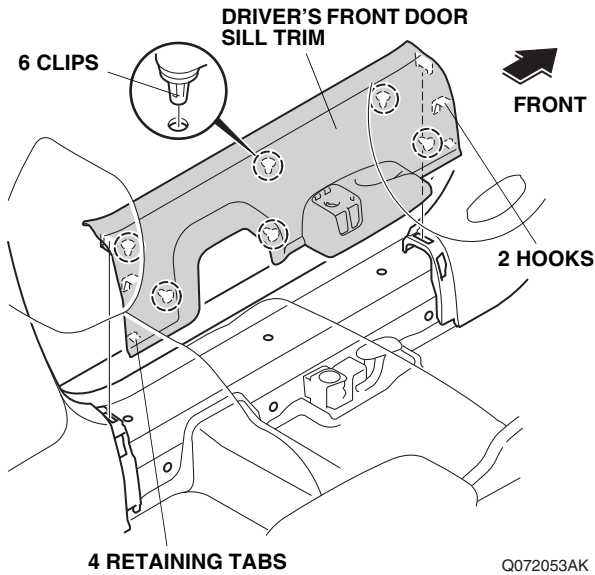
**Customer Information:** The information in this installation instruction is intended for use only by skilled technicians who have the proper tools, equipment, and training to correctly and safely add equipment to your vehicle. These procedures should not be attempted by "do-it-yourselfers."

1. Disconnect the negative cable from the battery.
2. Remove the trunk lid/fuel fill door opener cover (four retaining tabs and two hooks). Remove one self-tapping screw. Using the key, unlock the trunk opener.

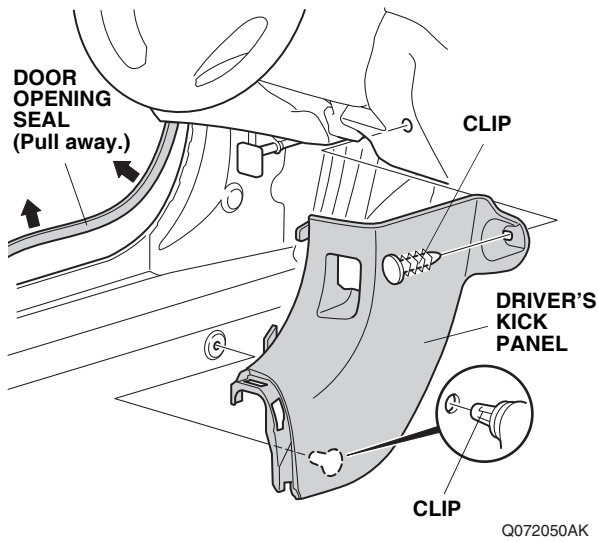


Q072052AK

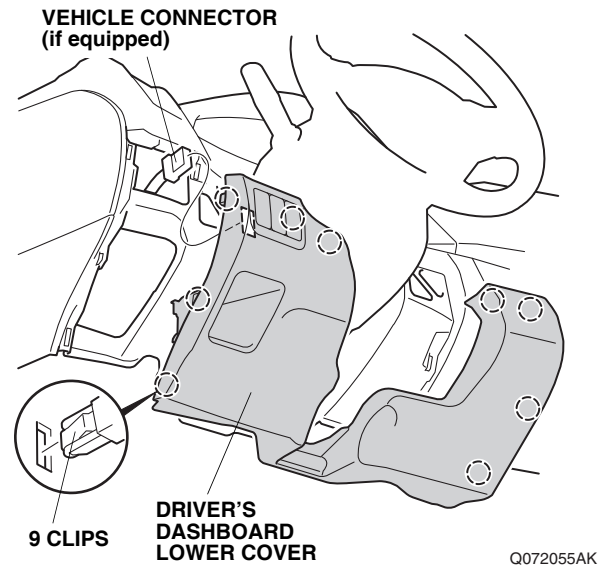
- Remove the driver's front door sill trim (six clips, two hooks, and four retaining tabs).



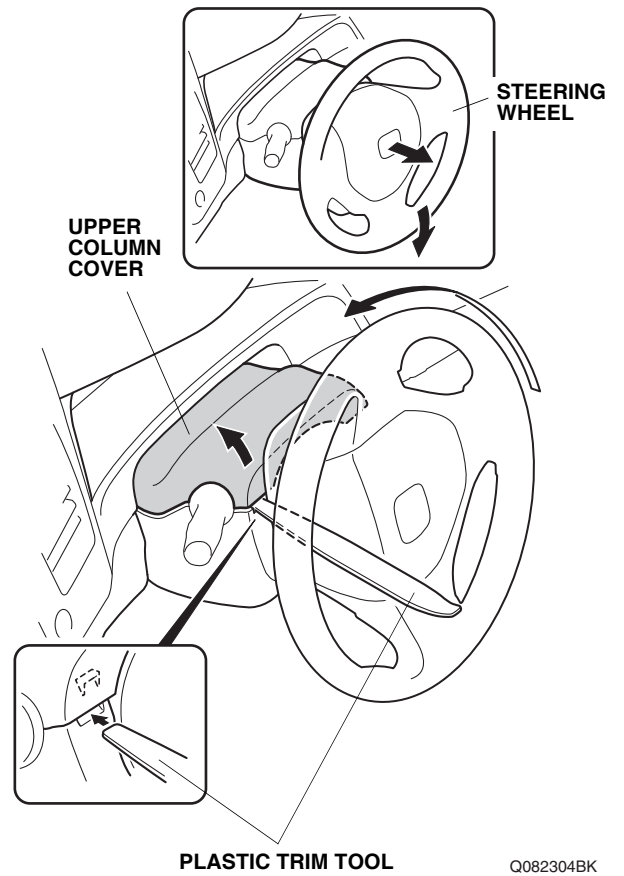
- Pull away the door opening seal, and remove the driver's kick panel (two clips).



- Remove the driver's dashboard lower cover (nine clips and unplug the vehicle connector, if equipped).

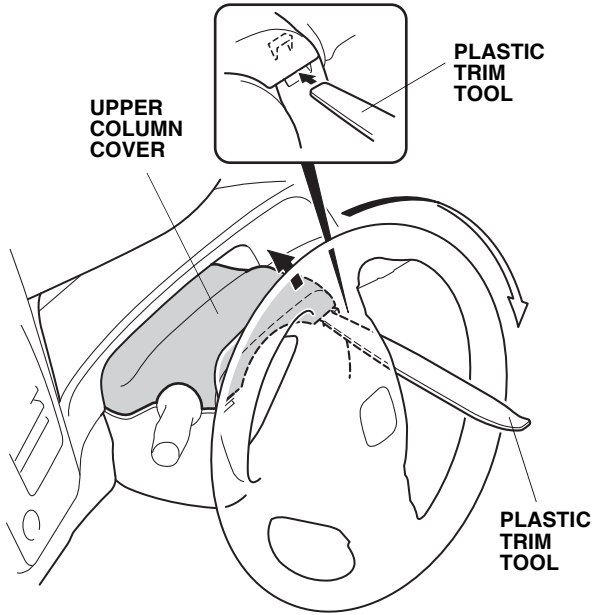


- Lower the tilt lever, and turn the steering wheel 90° counterclockwise.



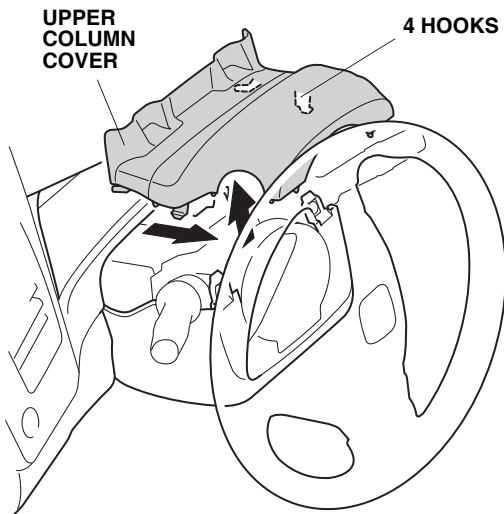
- Using a plastic trim tool, release the lock tab as shown.

8. Turn the steering wheel 180° clockwise.



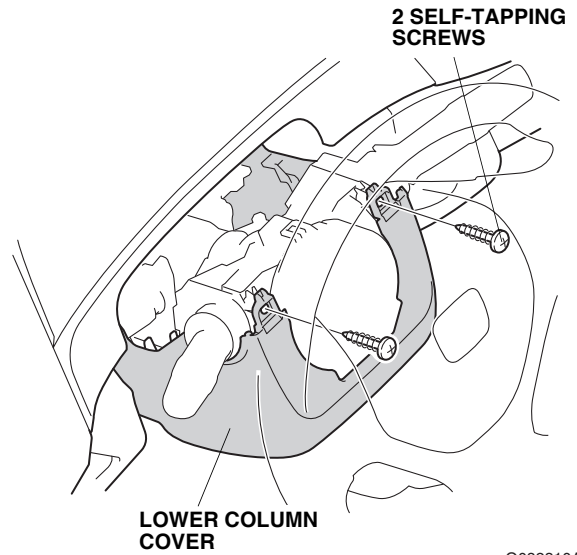
Q0D1402AH

9. Using a plastic trim tool, release the lock tab on the other side the same way.
10. Remove the upper column cover (four hooks).



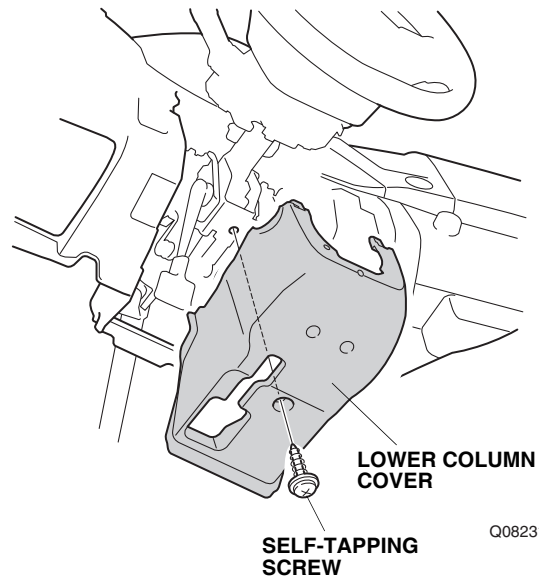
Q082307AK

11. Remove two self-tapping screws from the lower column cover.



Q082310AK

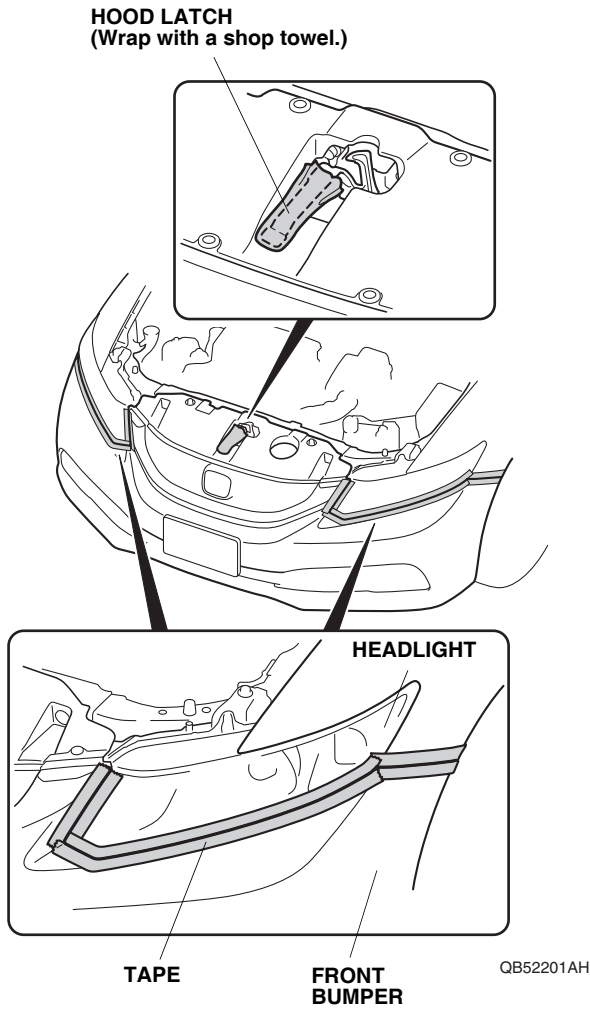
12. Remove the lower column cover (one self-tapping screw).



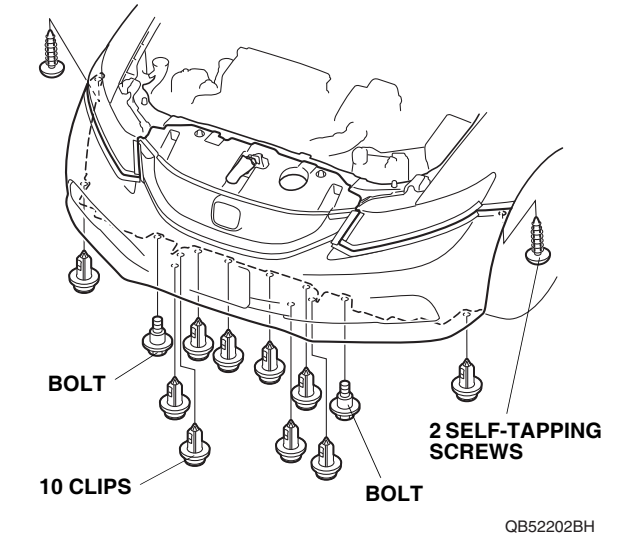
Q082311AK

13. Remove the front bumper:

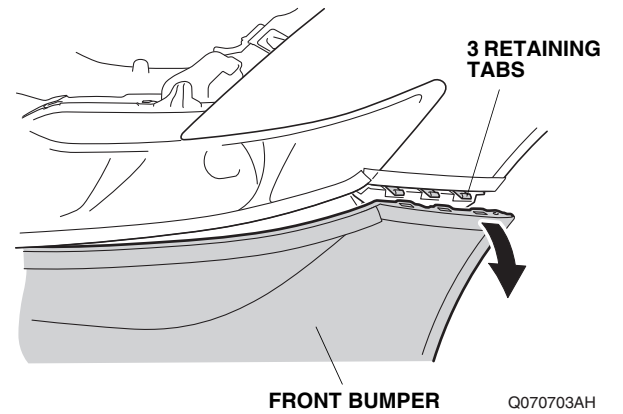
- On each side, attach tape to the areas shown.
- Wrap a shop towel around the hood latch.



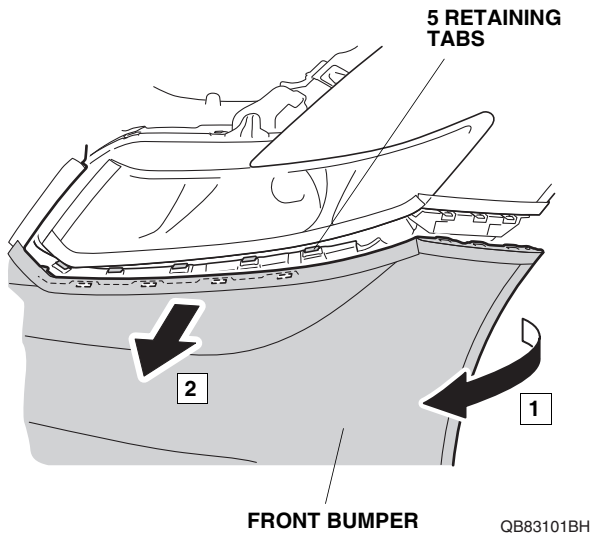
- Remove the 2 self-tapping screws, 10 clips, and 2 bolts.



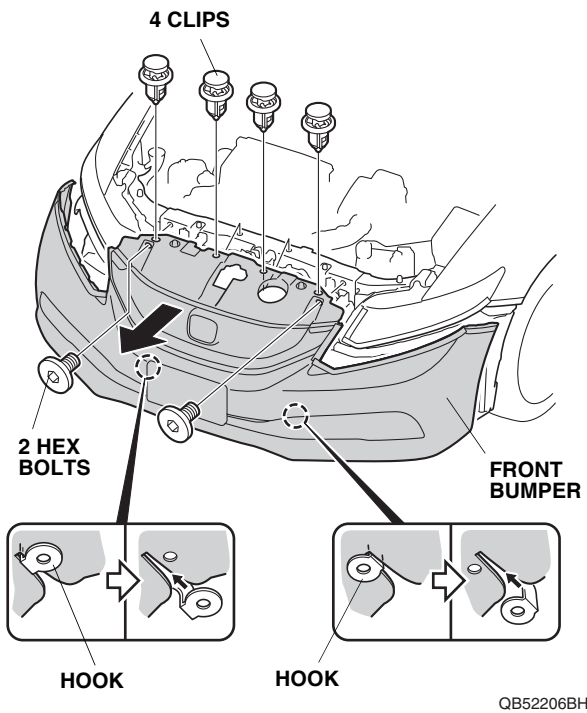
- On each side, release three retaining tabs.



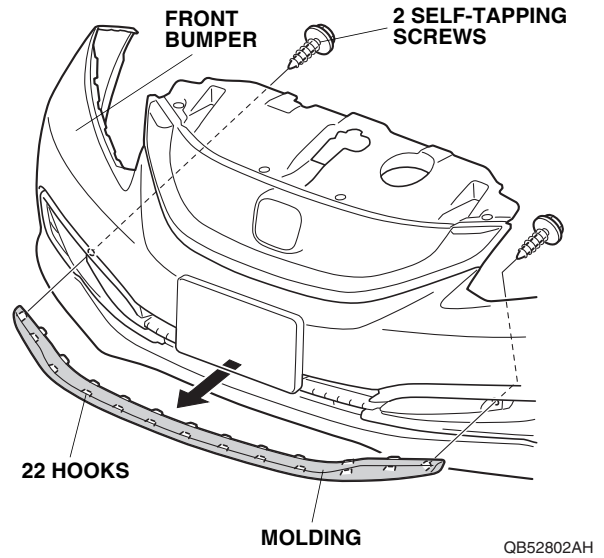
- On each side, release five retaining tabs.



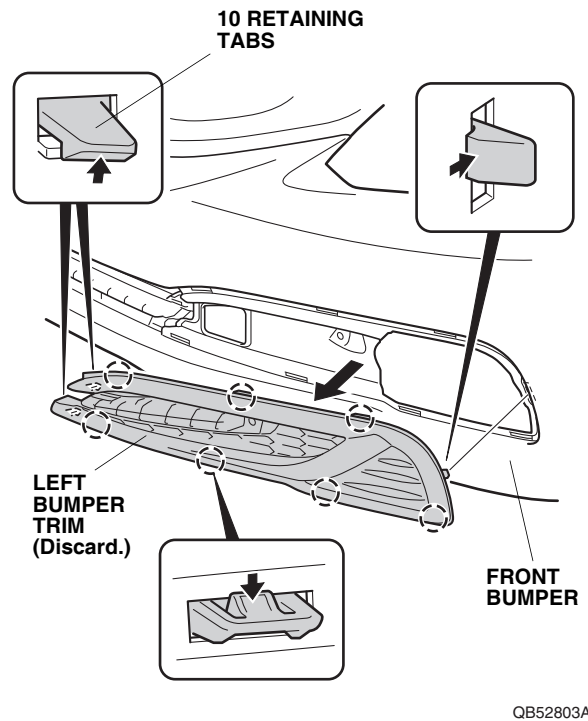
- With the help of an assistant, remove the front bumper (two hex bolts and four clips). Place the front bumper on a blanket to prevent damage.



- Remove the molding from the front bumper (2 self-tapping screws and 22 hooks).

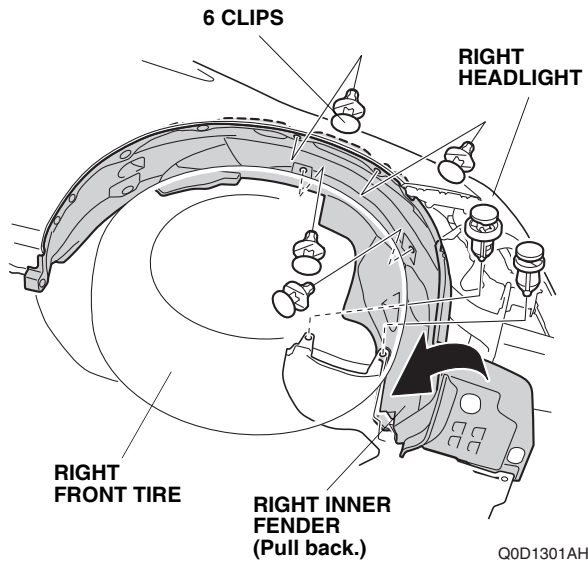


- Remove the left bumper trim from the front bumper (10 retaining tabs).

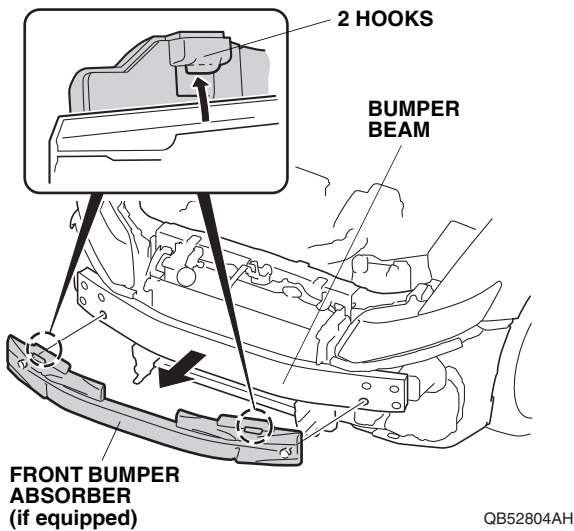


- Remove the right bumper trim the same way.

17. Remove the six clips from the right front inner fender and pull back the right inner fender as shown.

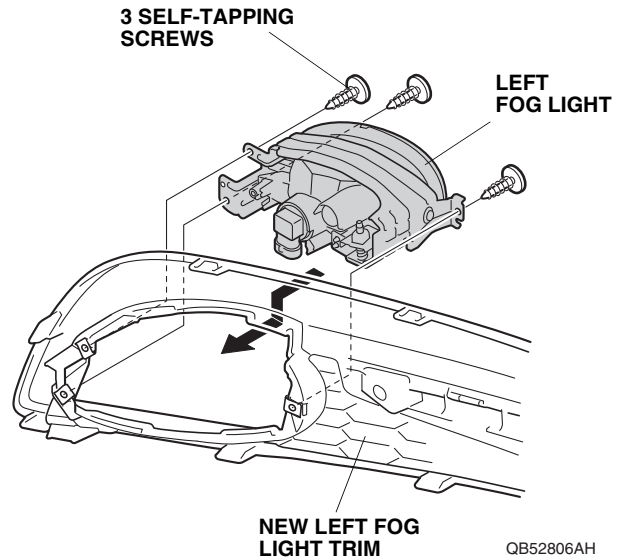


18. If equipped, remove the front bumper absorber (two hooks).

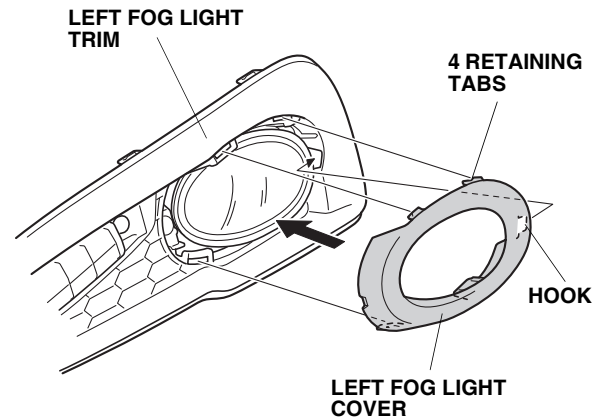


## Installing the Fog Lights

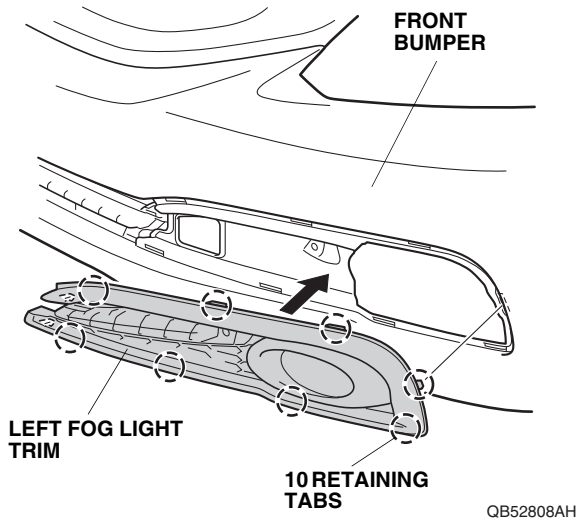
19. Secure the left fog light to the new left fog light trim with three self-tapping screws.



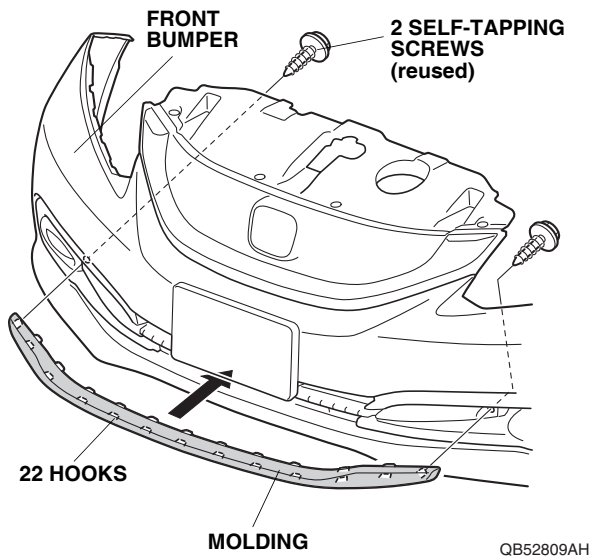
20. Install the left fog light cover to the left fog light trim with four retaining tabs and one hook.



21. Install the left fog light trim to the front bumper with 10 retaining tabs.



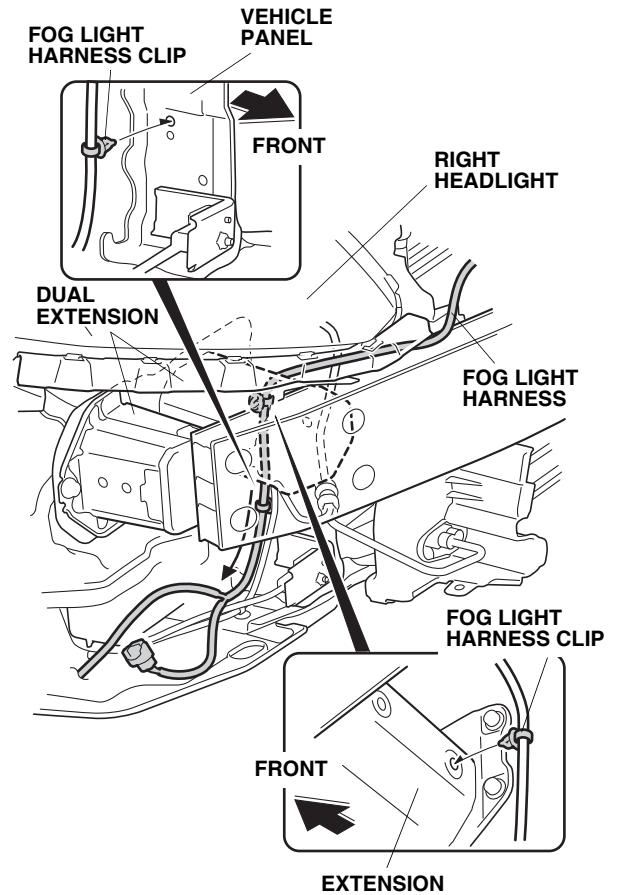
22. Repeat steps 19 through 21 to install the right fog light trim on the right side of the vehicle.
23. Reinstall the molding to the front bumper.



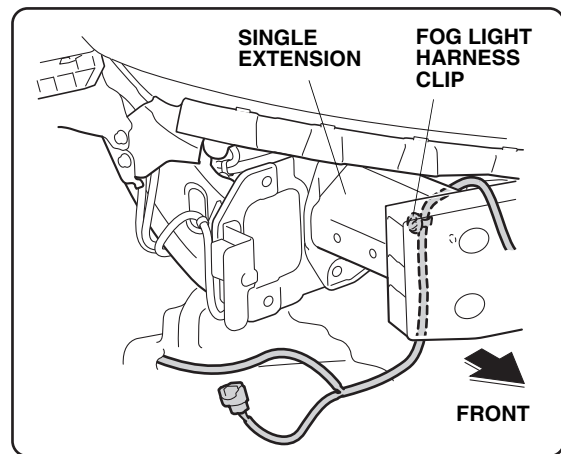
## Routing the Fog Light Harness

24. Get the fog light harness. Route the fog light harness under the right headlight and secure the fog light harness clips to the holes in the extension and vehicle panel as shown.

### DUAL EXTENSION



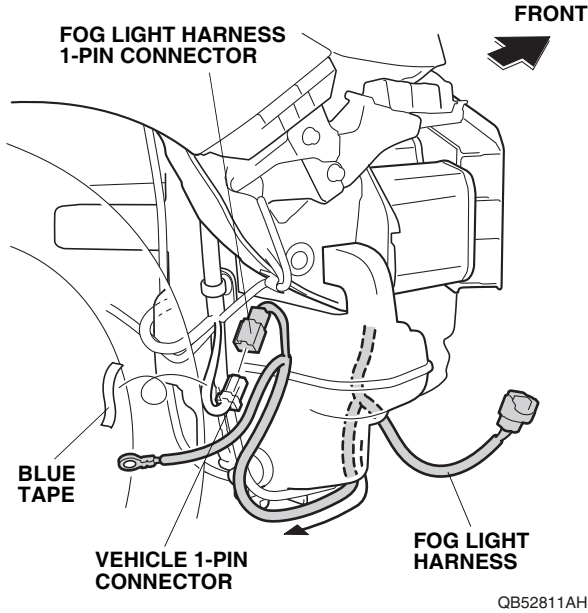
### SINGLE EXTENSION



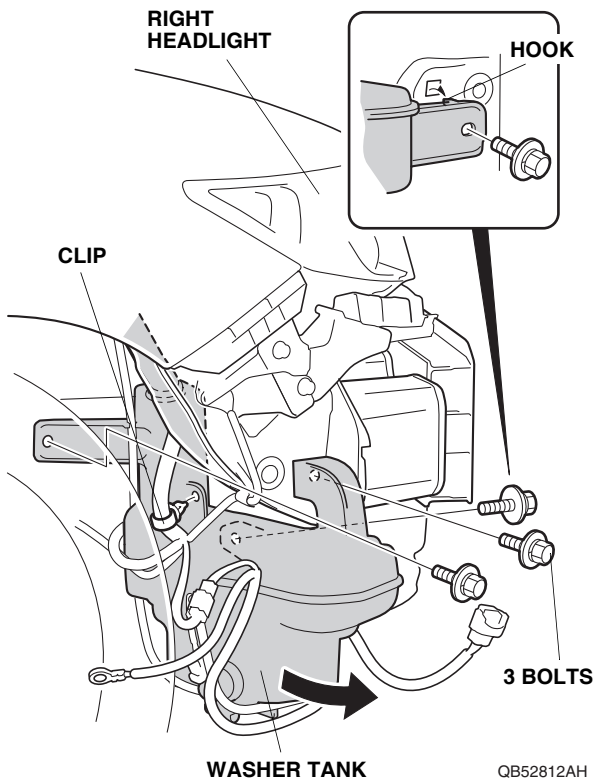
QC70206AT



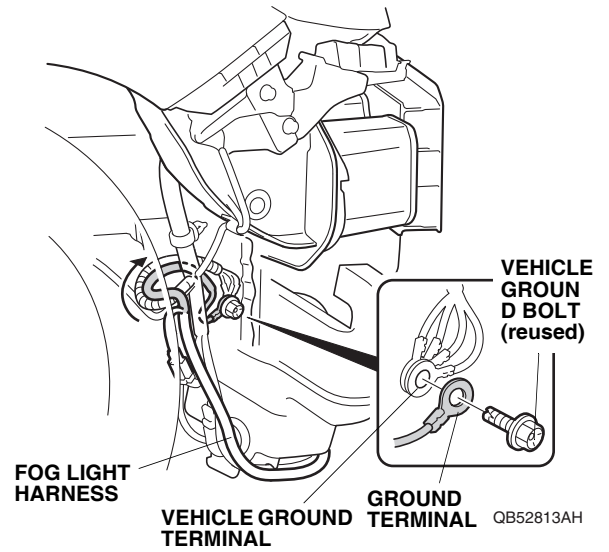
25. Locate the vehicle 1-pin connector blue-taped to the vehicle harness. Remove the blue tape to free the vehicle 1-pin connector.



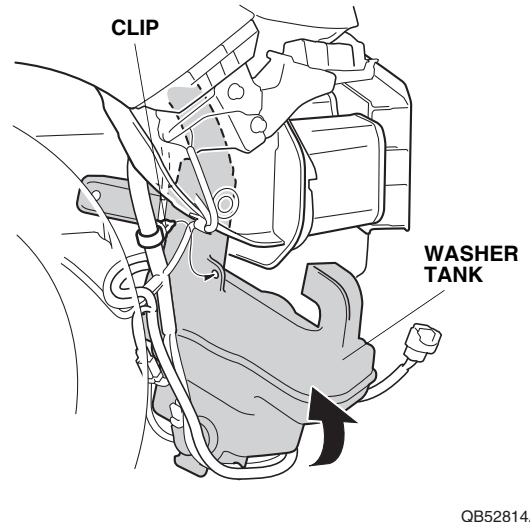
26. Plug the fog light harness 1-pin connector into the vehicle 1-pin connector as shown.
27. Remove three bolts and one clip from the washer tank. Move the washer tank out of the way in the direction shown.



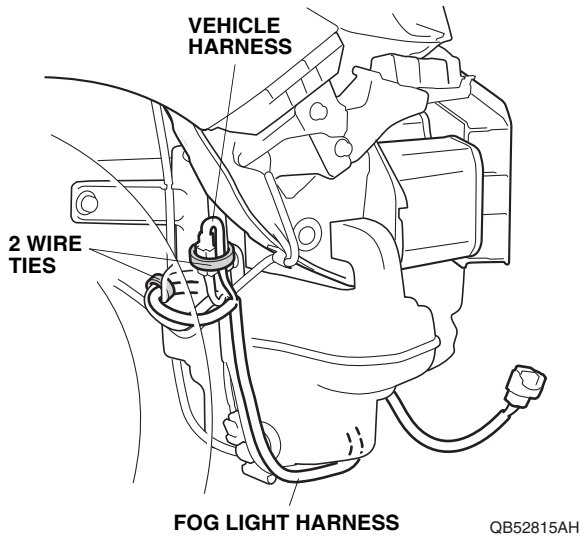
28. Remove the vehicle ground bolt. Attach the fog light harness ground terminal to the vehicle ground terminal, and reinstall the vehicle ground bolt.



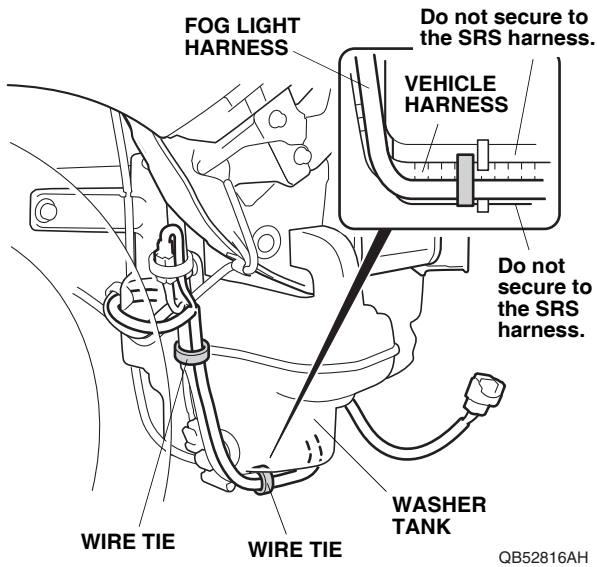
29. Reinstall the washer tank.



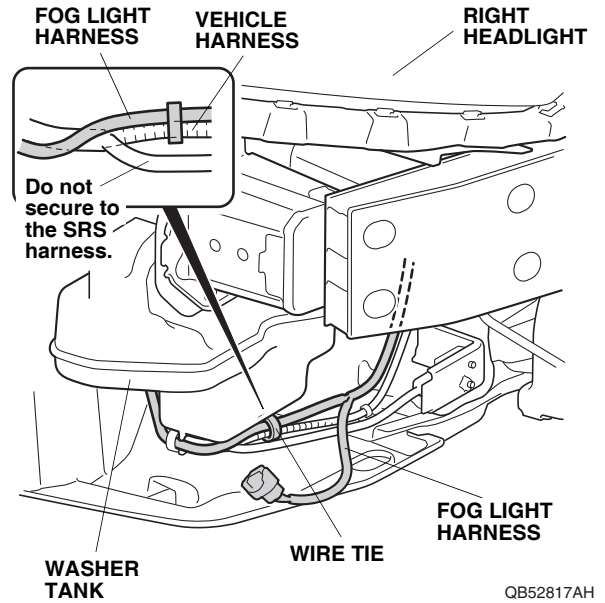
30. Secure the fog light harness to the vehicle harness with two wire ties. Do not secure the fog light harness to the washer tube.



31. Secure the fog light harness to the vehicle harness with two wire ties as shown. Do not secure the fog light harness to the SRS harness.

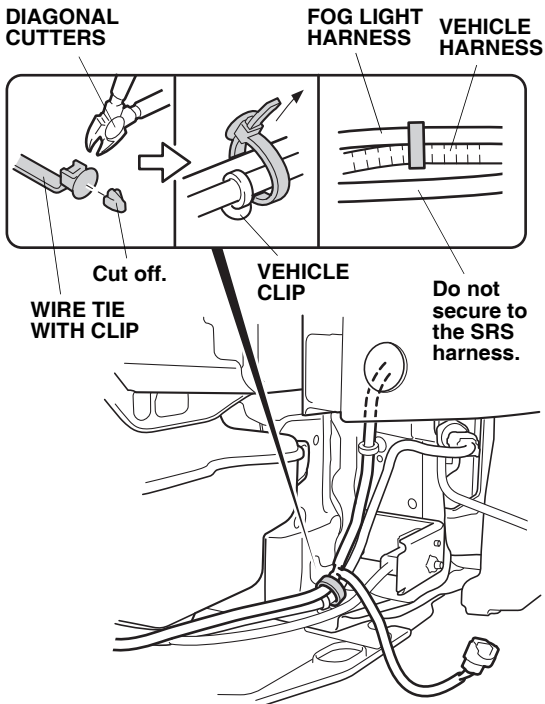


32. Under the washer tank, secure the fog light harness to the vehicle harness with one wire tie as shown. Do not secure the fog light harness to the SRS harness.



### With Vehicle Harness

33. Using diagonal cutters, cut the clip portion off of one wire tie with clip.

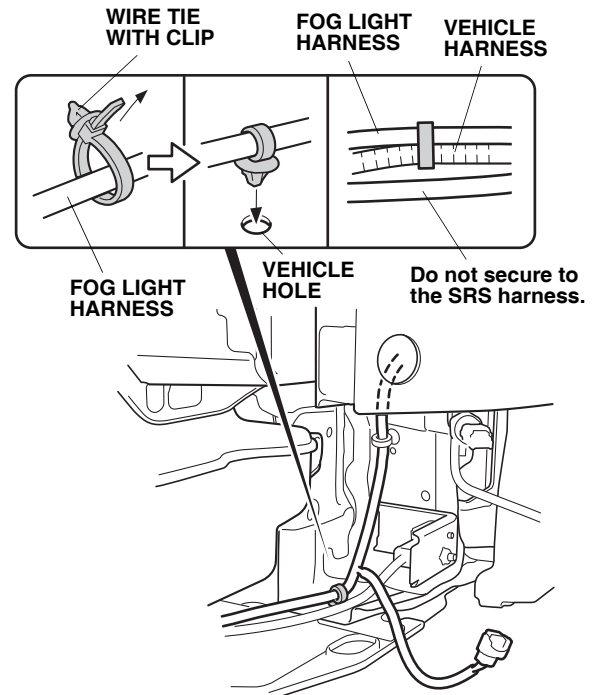


QC70108CT

34. Secure the fog light harness to the vehicle harness with one wire tie with clip. Go to step 36.

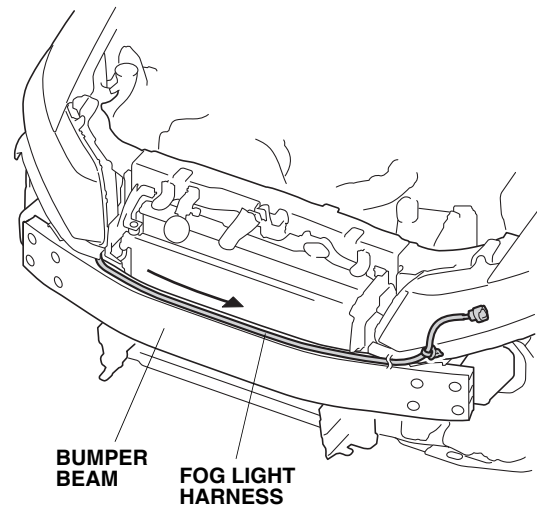
### Without Vehicle Harness

35. Attach one wire tie with clip on the fog light harness and secure the fog light harness to the hole in the vehicle panel with the clip.



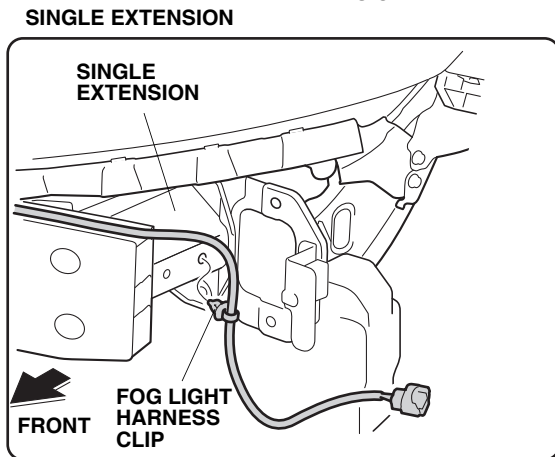
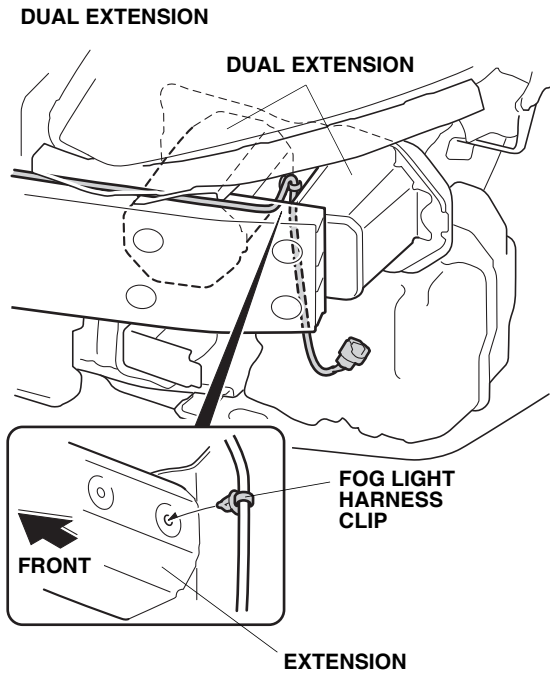
QC70109CT

36. Route the fog light harness along the bumper beam as shown.



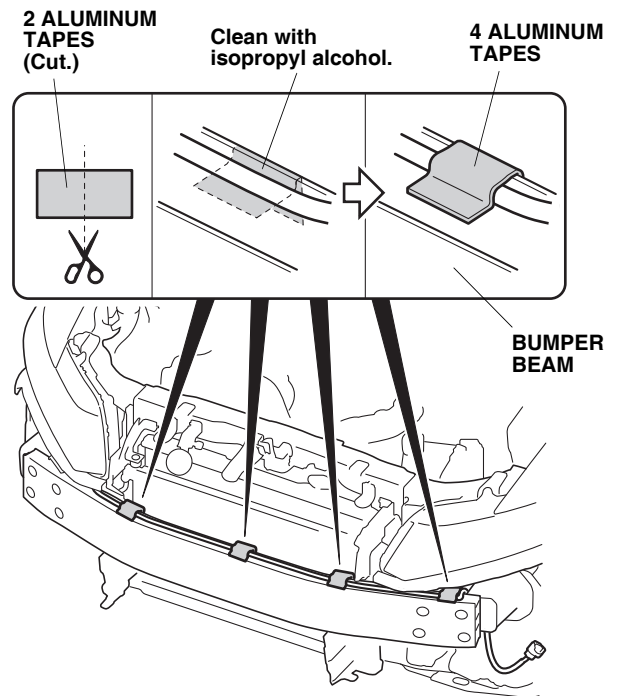
QB52819CH

37. Secure the fog light harness clip to the hole in the extension as shown.



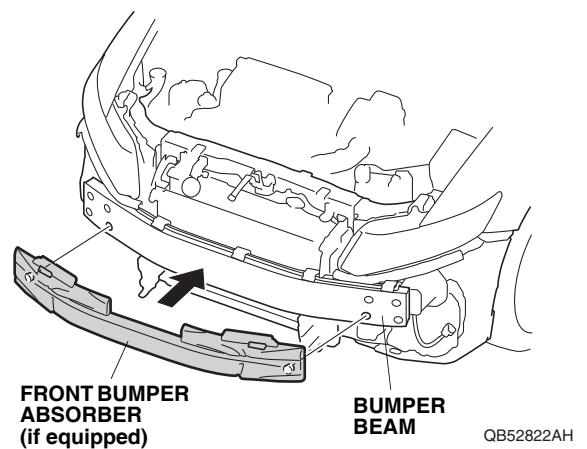
QB52820BH

38. Using isopropyl alcohol on a shop towel, clean the bumper beam where the aluminum tapes will attach.

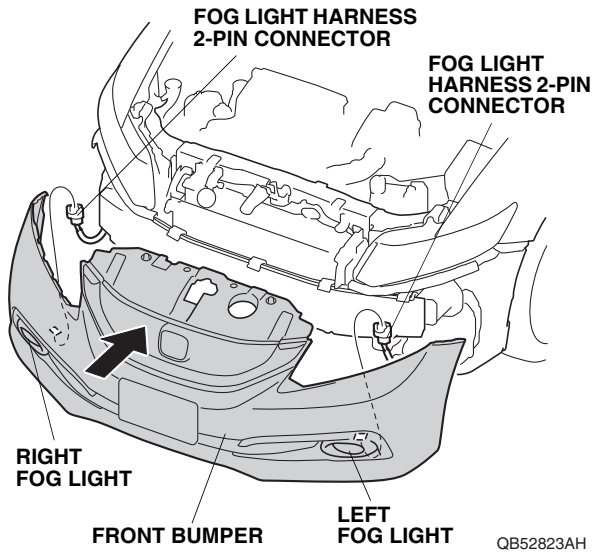


QB52821AH

39. Using scissors, cut two aluminum tapes in half.
40. Secure the fog light harness to the bumper beam with the four pieces of aluminum tape in the areas shown.
41. If equipped, reinstall the front bumper absorber.

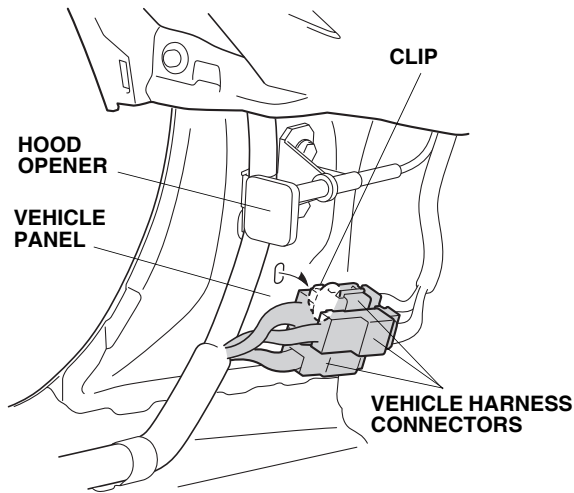


42. Plug the fog light harness 2-pin connector into each fog light, and with the help of an assistant, reinstall the front bumper.

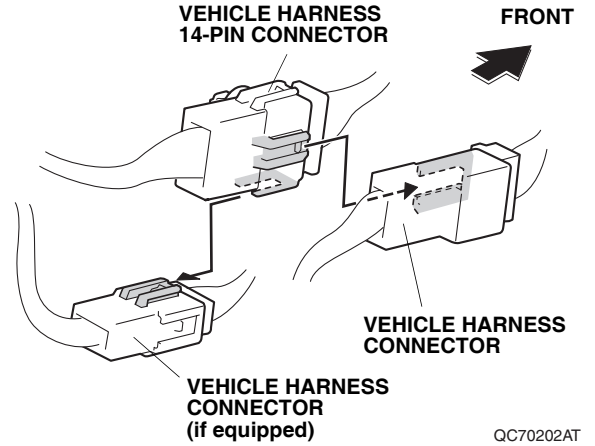


**Routing the Switch Harness**

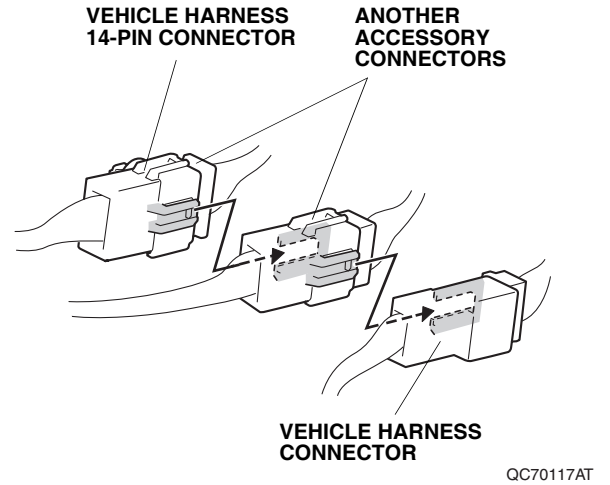
43. Remove the clip holding the vehicle harness connectors to the vehicle panel.



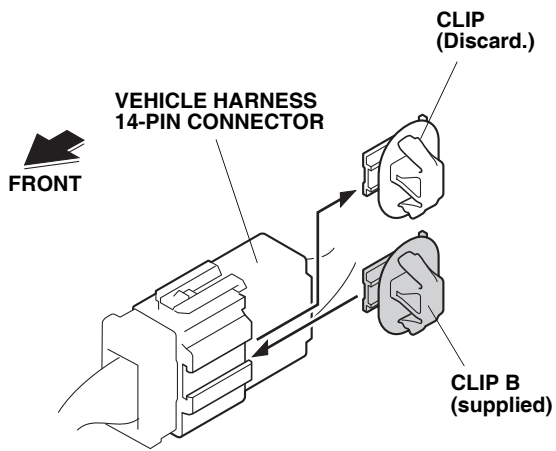
44. Remove the vehicle harness connectors from the vehicle harness 14-pin connector.  
Without another accessory connector



With another accessory connector

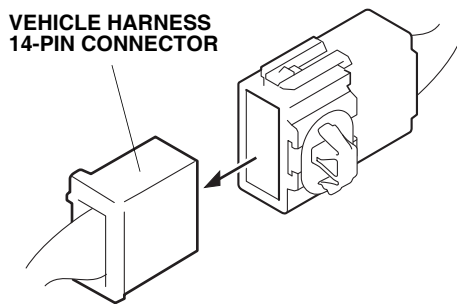


45. Remove the clip from the vehicle harness 14-pin connector, and install clip B on the vehicle harness 14-pin connector.



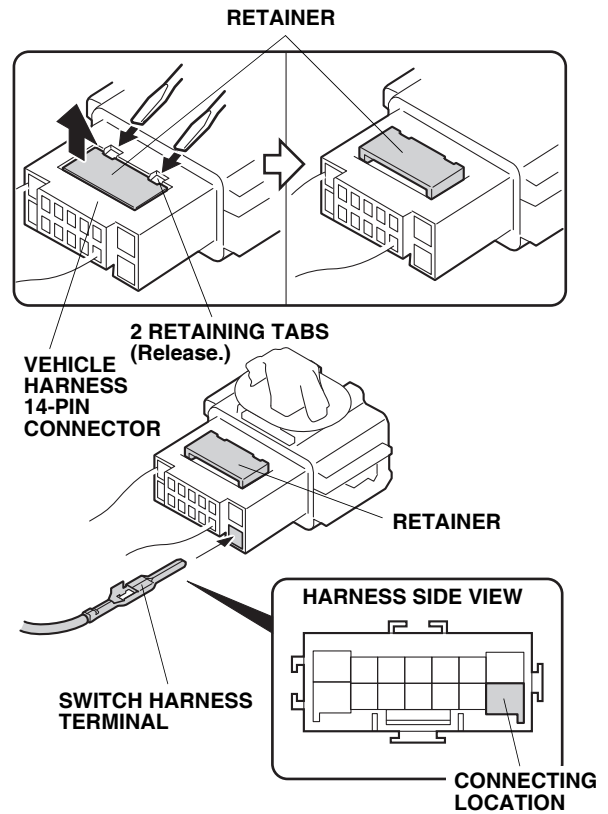
QC70118AT

46. Unplug the vehicle harness 14-pin connector.



QC70119AT

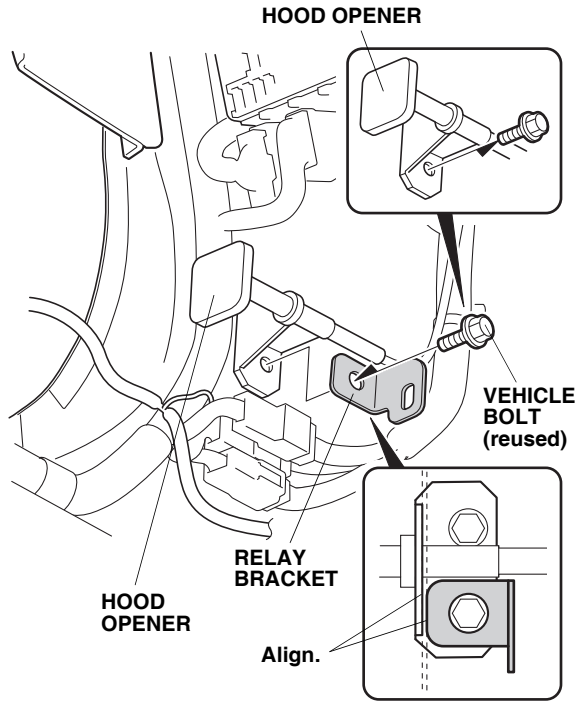
47. Release the retainer on the vehicle harness 14-pin connector. Connect the switch harness terminal into the vehicle harness 14-pin connector in the slot shown.



QC70120AT

48. Replug the vehicle harness 14-pin connector and reinstall the 14-pin to its original position.

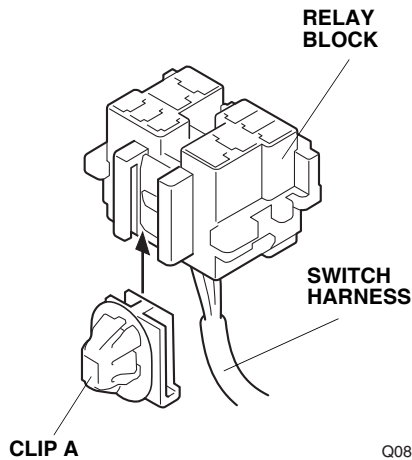
49. Remove the vehicle bolt from the hood opener.



QC70203AT

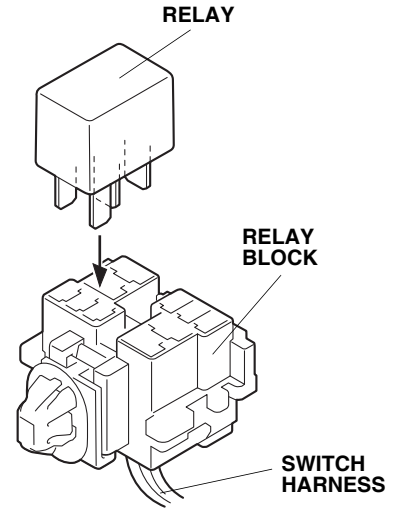
50. Attach the relay bracket in the position shown, and reinstall the vehicle bolt.

51. Install clip A to the relay block of the switch harness.



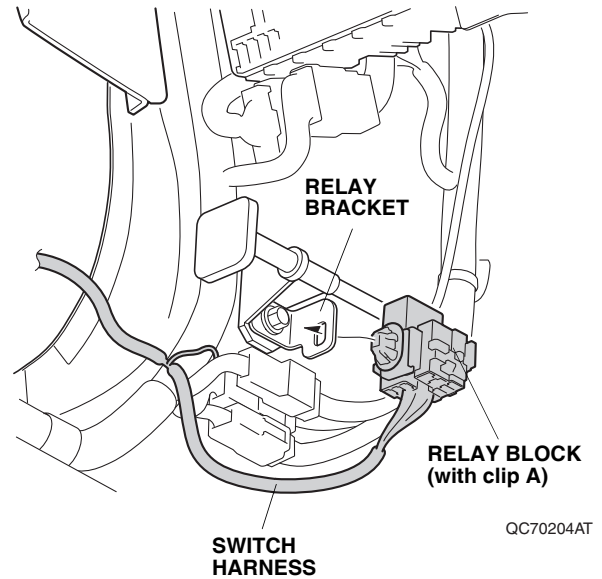
Q080206AH

52. Install the relay to the switch harness relay block.



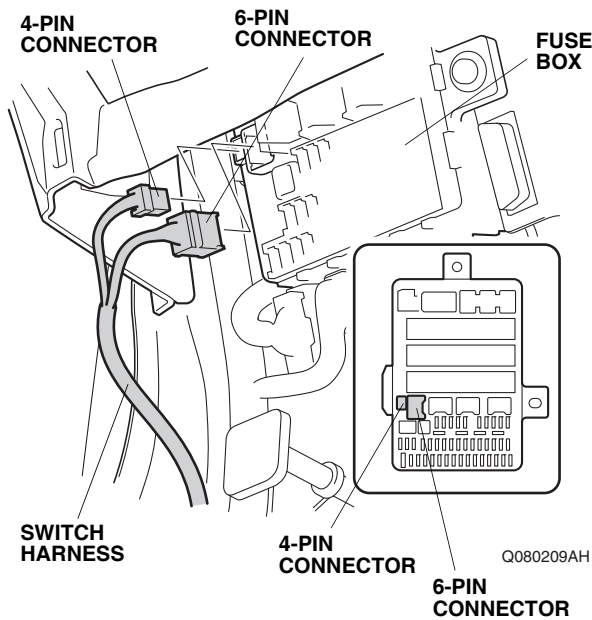
Q080207AH

53. Secure the switch harness relay block to the relay bracket.



QC70204AT

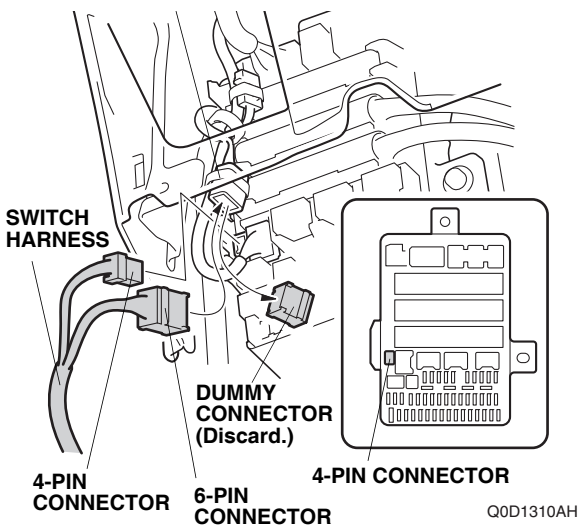
54. Plug the switch harness 4-pin connector and 6-pin connector into the fuse box. Go to step 57.



#### With Another Accessory Harness Connector

55. If the 6-pin connector is already used by another accessory, locate the 6-pin connector taped on another accessory harness. Remove the dummy connector from another accessory harness. Plug the switch harness 6-pin connector into another accessory harness 6-pin connector. Go to step 57.

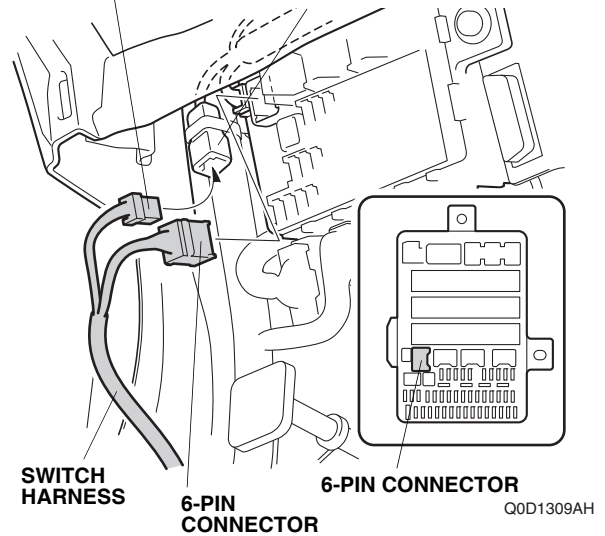
#### ANOTHER ACCESSORY HARNESS 6-PIN CONNECTOR



56. If the 4-pin connector is already used by another accessory, locate the 4-pin connector taped on another accessory harness. Plug the switch harness 4-pin connector into another accessory harness 4-pin connector.

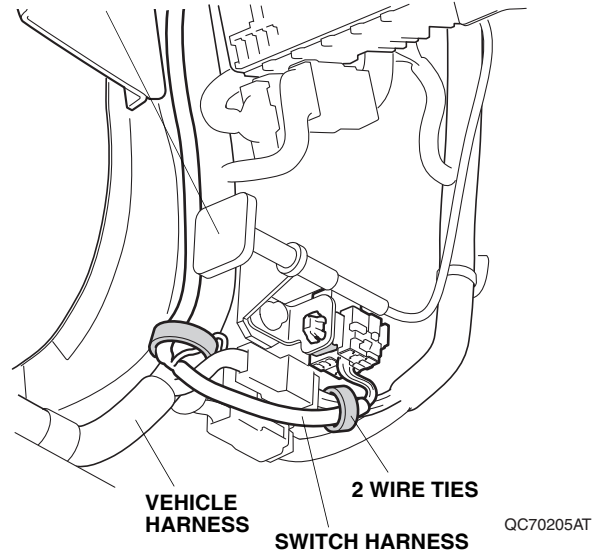
#### 4-PIN CONNECTOR

#### ANOTHER ACCESSORY HARNESS 4-PIN CONNECTOR



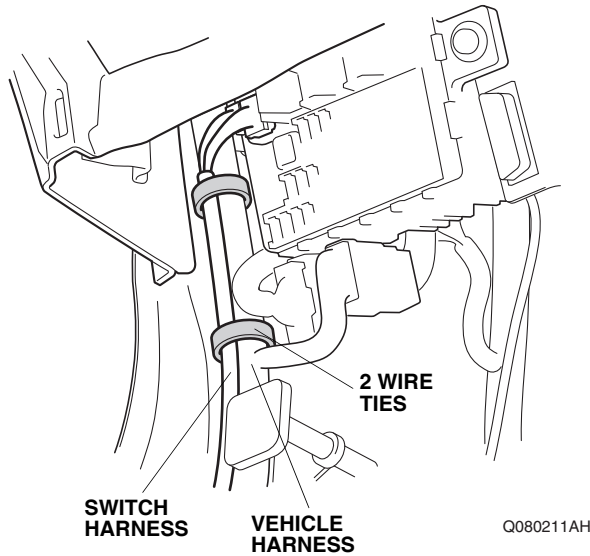
57. Secure the switch harness to the vehicle harness with two wire ties.

#### HOOD OPENER

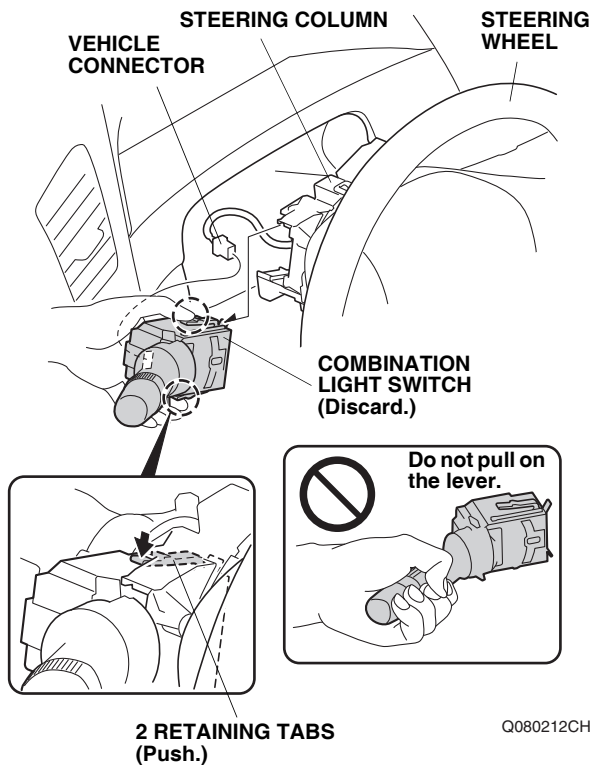




58. Secure the switch harness to the vehicle harness with two wire ties.

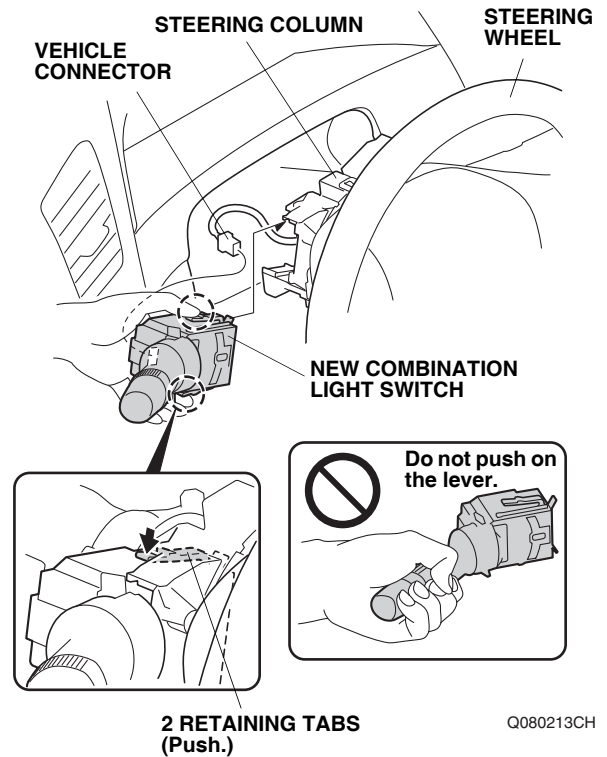


59. Unplug the vehicle connector from the combination light switch.

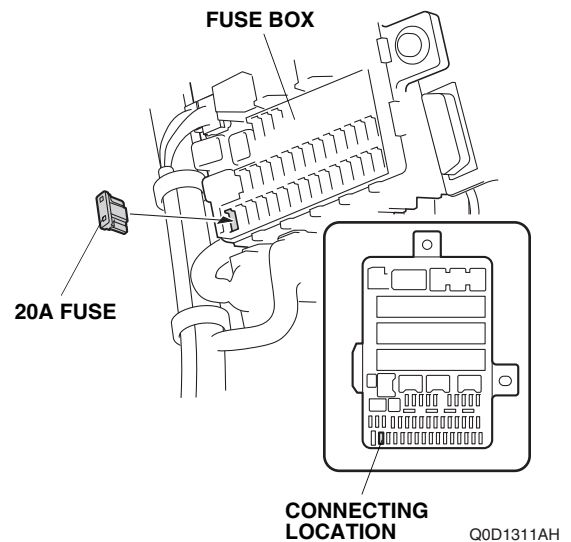


60. While pushing the two retaining tabs, slide the combination light switch out and remove it from the steering column.  
NOTE: Do not pull on the lever when removing the switch.

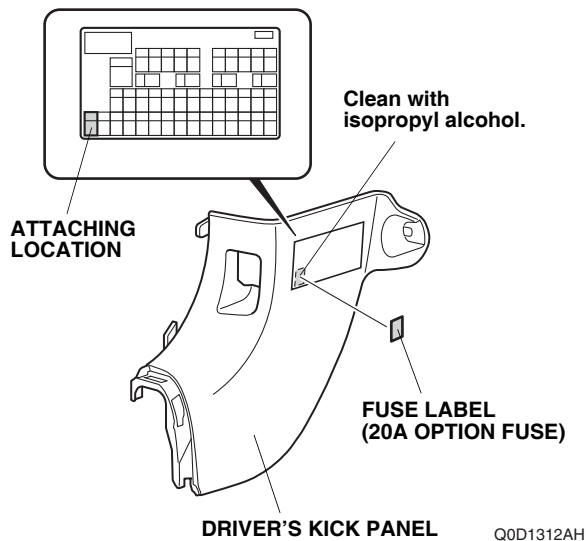
61. Install the new combination light switch to the steering column.  
NOTE: Do not push on the lever when installing the switch.



62. Plug the vehicle connector to the new combination light switch.  
If a fuse is already installed in the fuse box: go to step 66, otherwise continue with step 63.  
63. Plug the 20A fuse into the fuse box.



64. Using isopropyl alcohol on a shop towel, clean the driver's kick panel where the fuse label will attach.

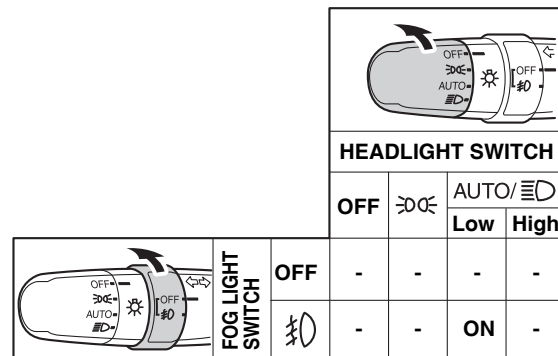


65. Attach the fuse label to the driver's kick panel.
66. Check that all wire harnesses are routed properly and all connectors are plugged in.
67. Reinstall all removed parts.
68. Reconnect the negative cable to the battery and check operation of all lights and other electrical accessories.
69. Press and hold the radio power button for two seconds to restore radio and navi (if equipped) system functions.
70. Reset the clock.
71. Restore the systems back to normal operation as described in the Service Manual if necessary.

## USE AND CARE

### How to Operate the Fog Lights

- Turn the headlight switch to the “**☰D**” position (headlights on low beam).
- Turn the fog light switch on (indicator is on).



The auto light model is shown.

Q0D2101AH

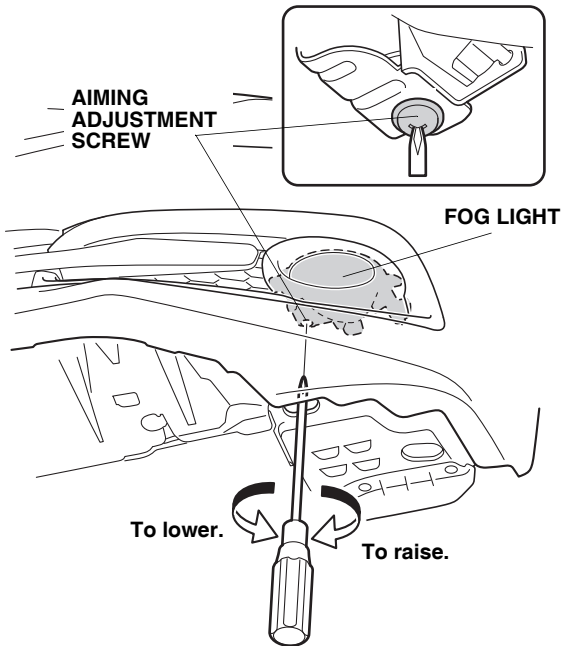
**NOTE:** The fog light lenses can cloud when the outside temperature is cold; this is normal and should go away in warm weather.

- If the fog lights do not turn on, check the fuse and all the connectors, including the ground cable.

## Fog Light Aiming Adjustment

72. Adjust the fog light:

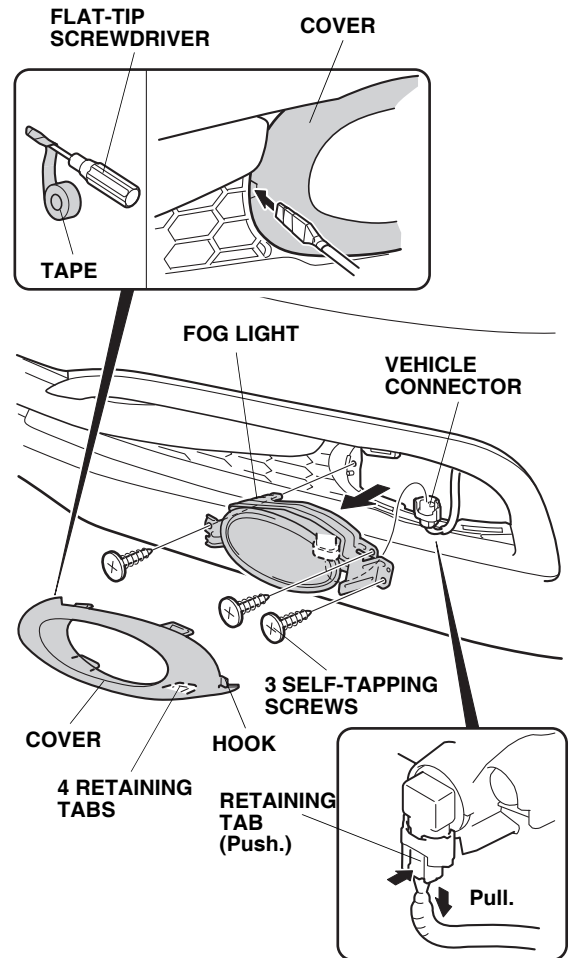
- Adjust the aim according to your local laws and regulations.
- To adjust, turn the adjustment screw in or out until the correct aim is obtained.



QB52824AH

## BULB REPLACEMENT

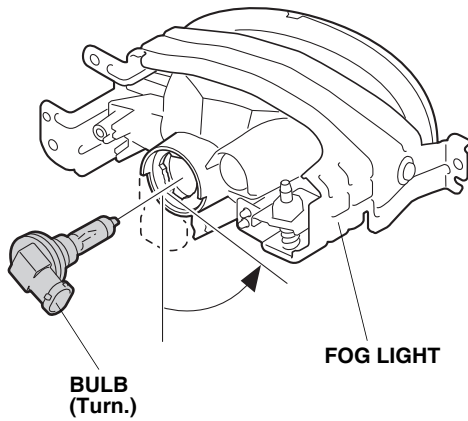
1. Remove the cover (four retaining tabs and one hook).



QB52825AH

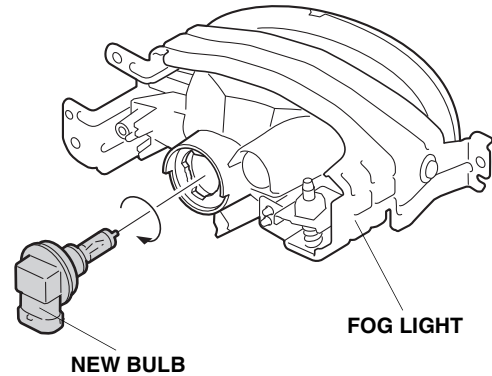
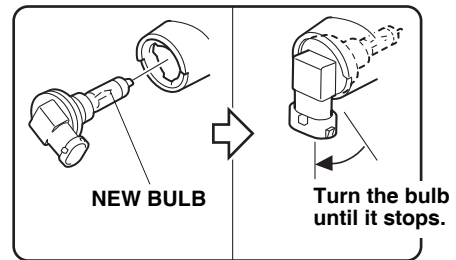
2. Remove the fog light (three self-tapping screws and unplug the vehicle connector).

3. Remove the bulb from the fog light as shown.



QB52826AH

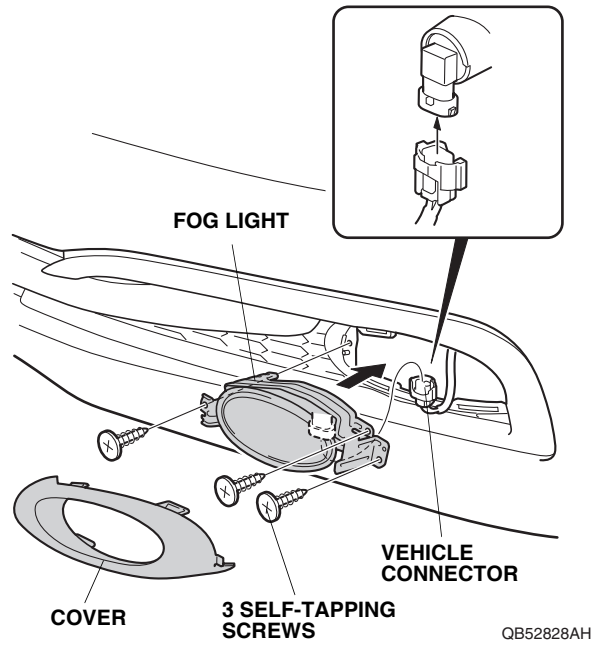
4. Install the new bulb to the fog light.
- Use only a genuine Honda halogen light bulb of specified wattage.  
Rating: 12V 55W H11 Halogen Light Bulb  
P/N 33165-S5A-003
  - Do not touch the bulb. Oily or greasy substances on the bulb can shorten its service life due to the heat produced when the bulb is turned on. If the bulb is accidentally touched, wipe it clean with a soft cloth that has been dampened with a denatured alcohol or a mild detergent solution.
  - When installing the new bulb, align the cutout on the fog light with the tab on the new bulb and turn the new bulb in completely. If not properly aligned, the fog light may annoy the oncoming driver's view.



QB52827AH

5. Reinstall the fog light and cover.

- Check that the wire harness is not pinched.
- Be sure to tighten the self-tapping screws securely.



6. Check the operation of the fog light; readjust the aim if necessary.